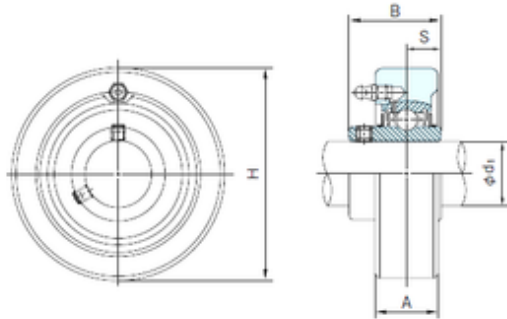




NACHI UCC326 Unidades de rolamento



Bearing No. UCC326

Bore Diameter	130 mm
Width	135 mm
d	130 mm
A	100 mm
B	135 mm
H	340 mm
S	54 mm

UCC326 Bearing 2D drawings and 3D CAD models