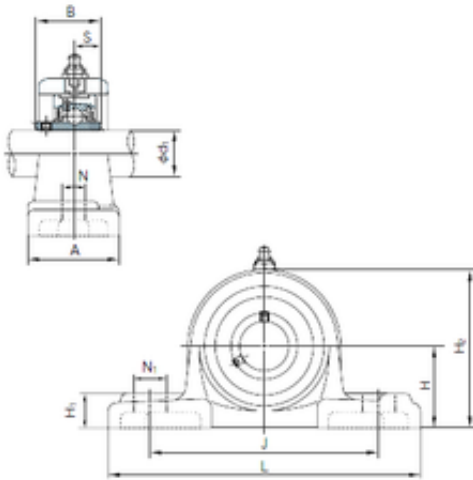




NACHI UCEP205 Unidades de rodamiento

Bearing No. UCEP205



UCEP205 Bearing 2D drawings and 3D CAD models

Bore Diameter	25 mm
Width	34 mm
d	25 mm
A	51 mm
B	34 mm
H	44.4 mm
H1	18 mm
H2	85 mm
J	119 mm
L	159 mm
N	17 mm
N1	20 mm
S	14.3 mm
Bolt (G)	M14