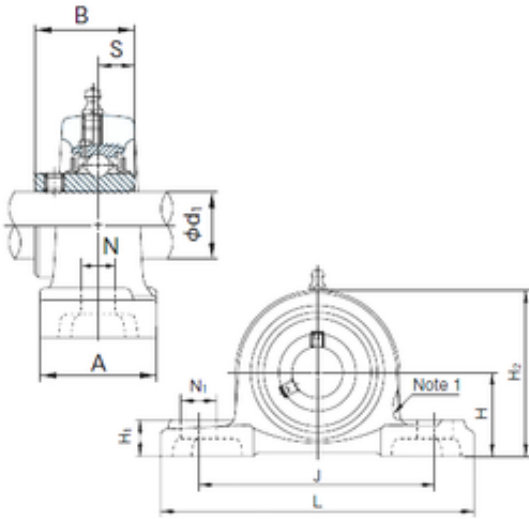




SBA bearing Co. Ltd.



UCPX08 Bearing 2D drawings and 3D CAD models

NACHI UCPX08 Unidades de rolamento

Bearing No. UCPX08

Bore Diameter	40 mm
Width	49.2 mm
d	40 mm
A	67 mm
B	49.2 mm
H	58.7 mm
H1	26 mm
H2	113 mm
J	156 mm
L	222 mm
N	20 mm
N1	32 mm
S	19 mm
Bolt (G)	M16
Category	Bearings
Inventory	0.0
Manufacturer Name	NACHI
Minimum Buy Quantity	N/A
Weight / Kilogram	0
Product Group	M06110