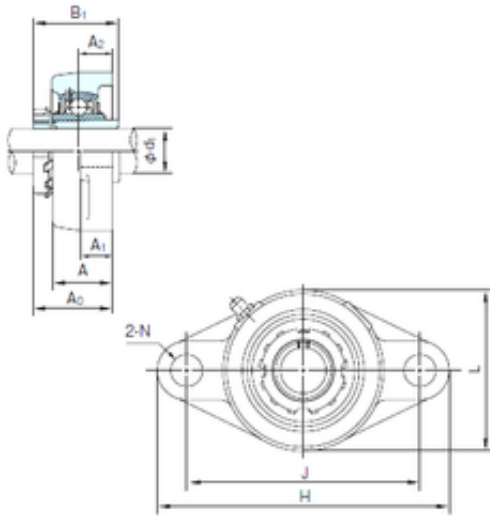




SBA bearing Co. Ltd.



NACHI UKFL208+H2308 Unidades de rolamento

Bearing No. UKFL208+H2308

Bore Diameter	35 mm
d1	35 mm
A0	45.5 mm
A	36 mm
A1	16 mm
B1	46 mm
H	175 mm
J	144 mm
L	100 mm
L1	104 mm
N	16 mm
Bolt (G)	M14
A2	21 mm

UKFL208+H2308 Bearing 2D drawings and 3D CAD models